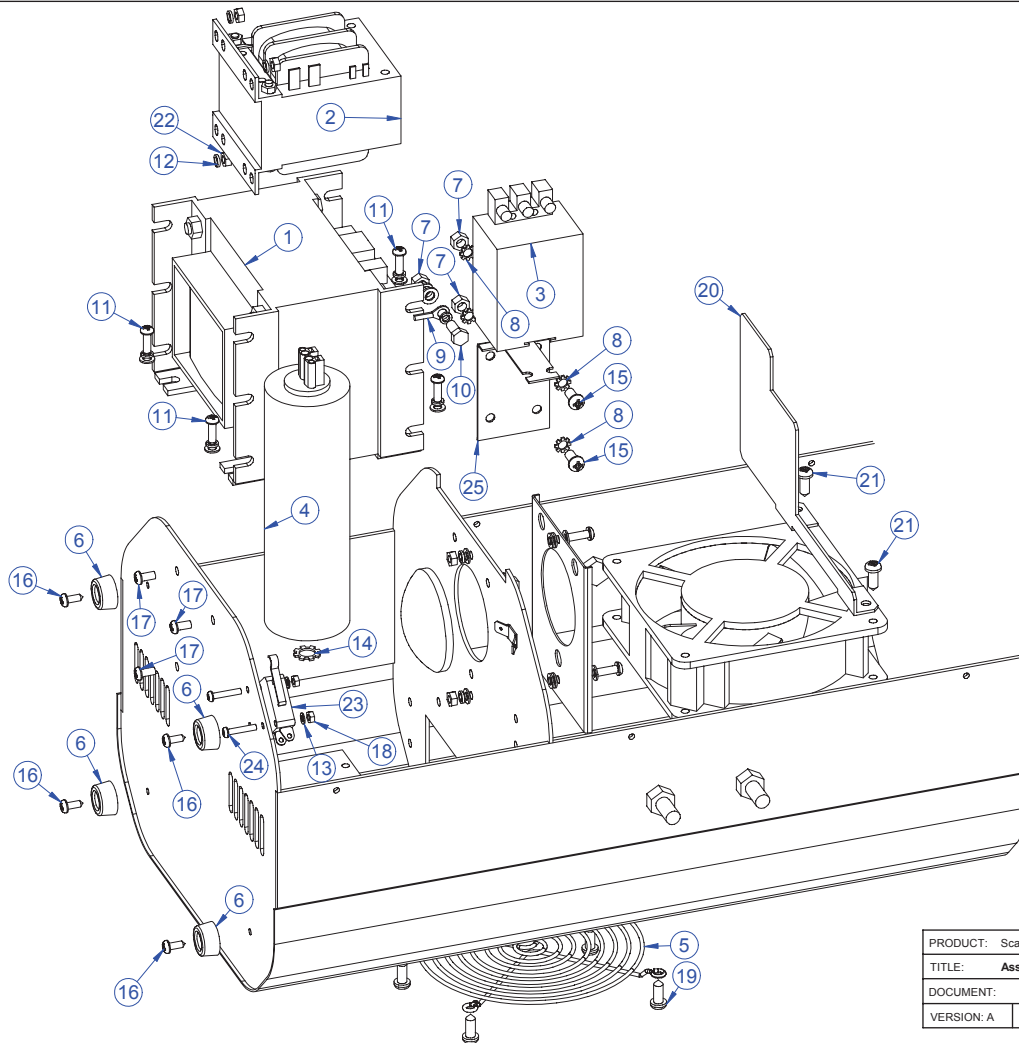
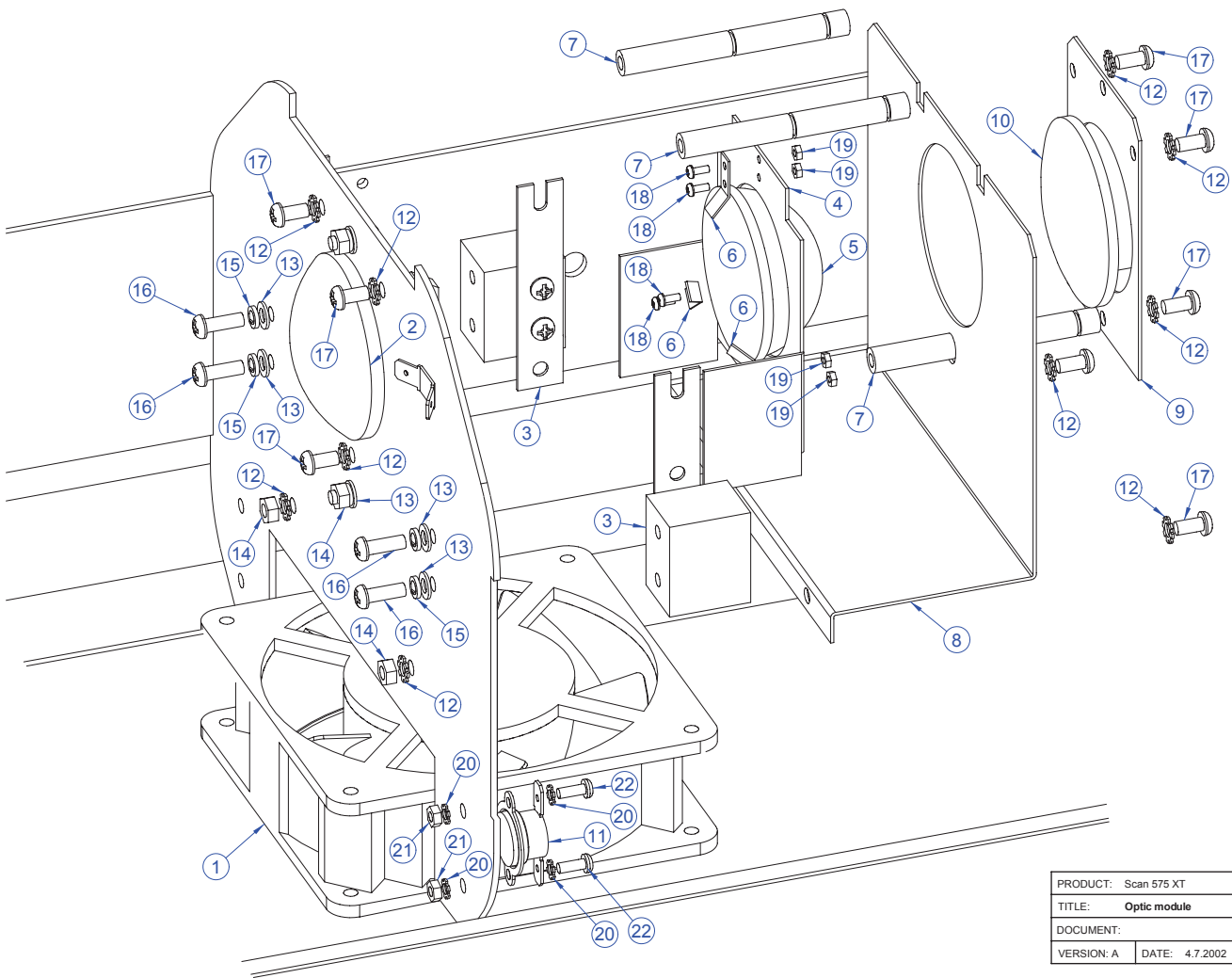


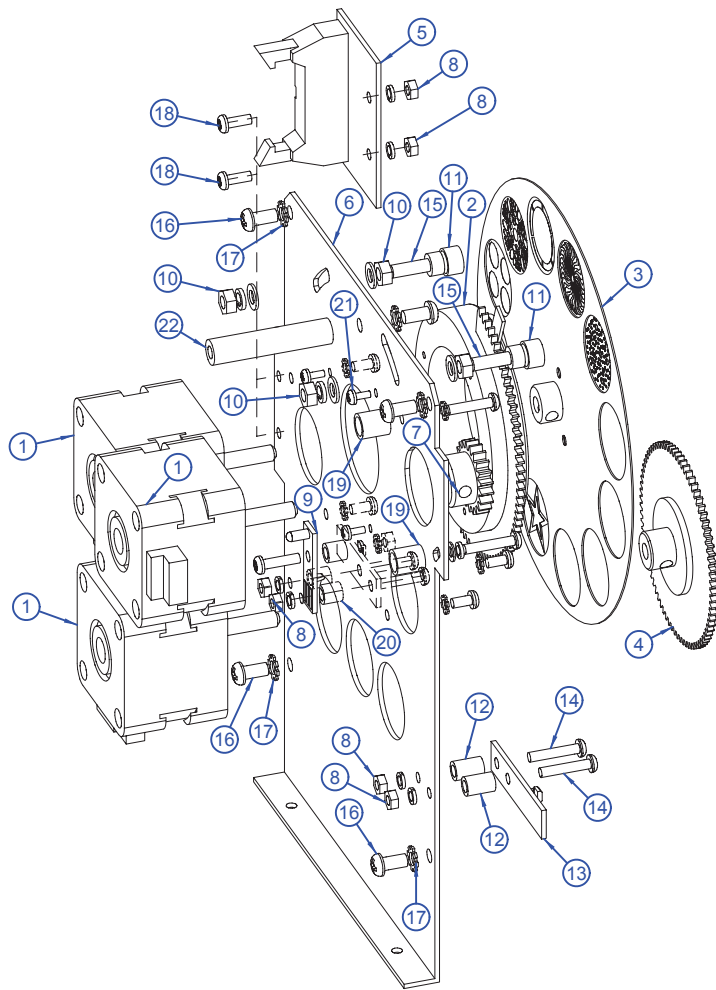
PRODUCT: Scan 575 XT		
TITLE: Covers		
DOCUMENT:		
VERSION: A	DATE: 4.7.2002	SHEET: 1 OF 12



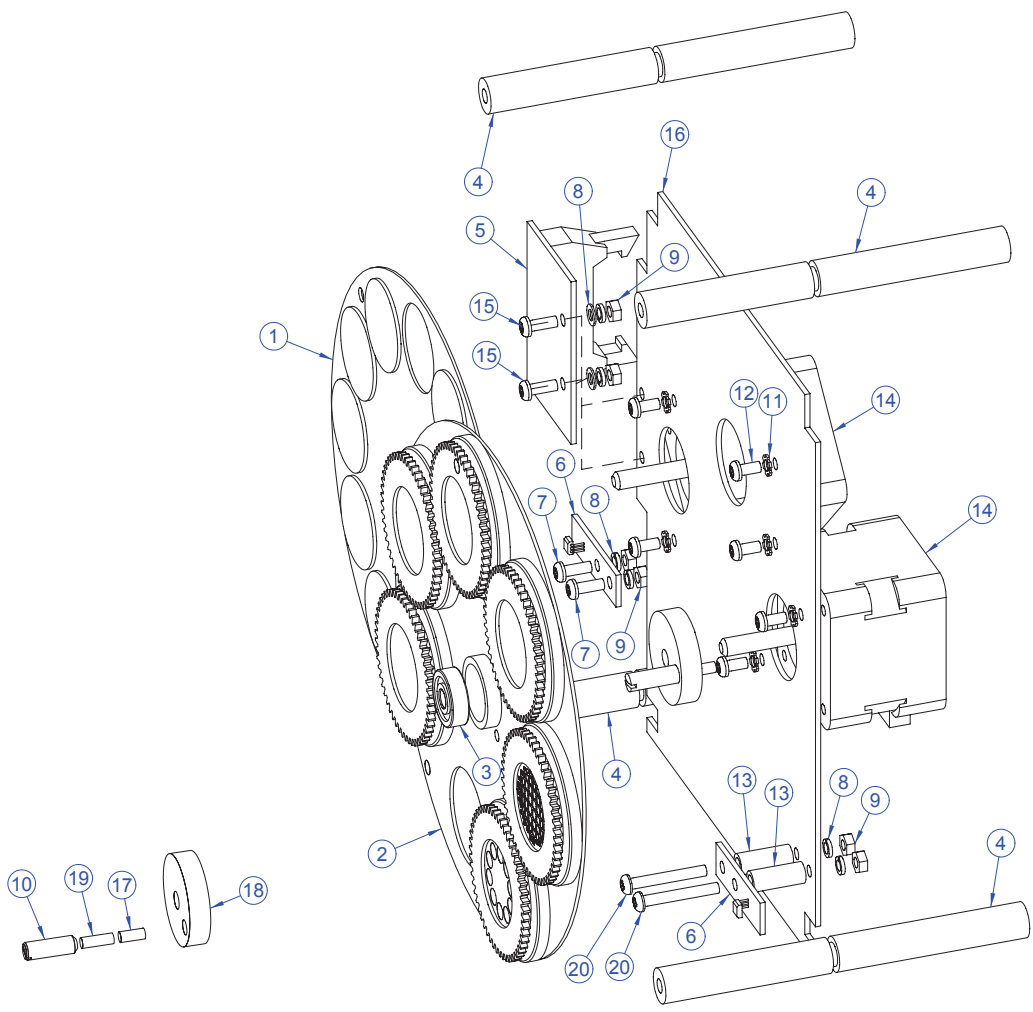
PRODUCT: Scan 575 XT		
TITLE: Assembly of ballast 230V		
DOCUMENT:		
VERSION: A	DATE: 4.7.2002	SHEET: 2 OF 12



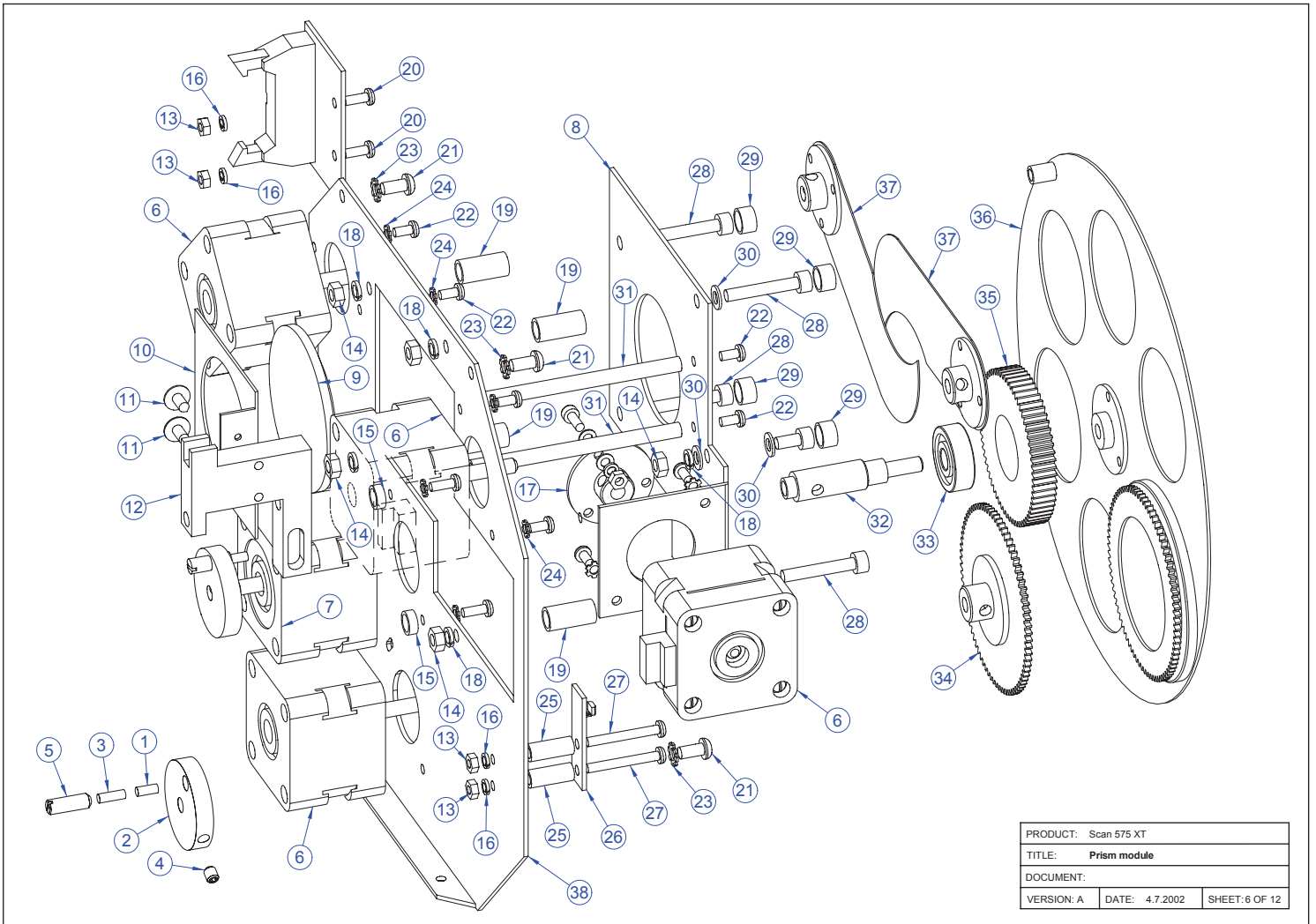
PRODUCT: Scan 575 XT		
TITLE: Optic module		
DOCUMENT:		
VERSION: A	DATE: 4.7.2002	SHEET: 3 OF 12



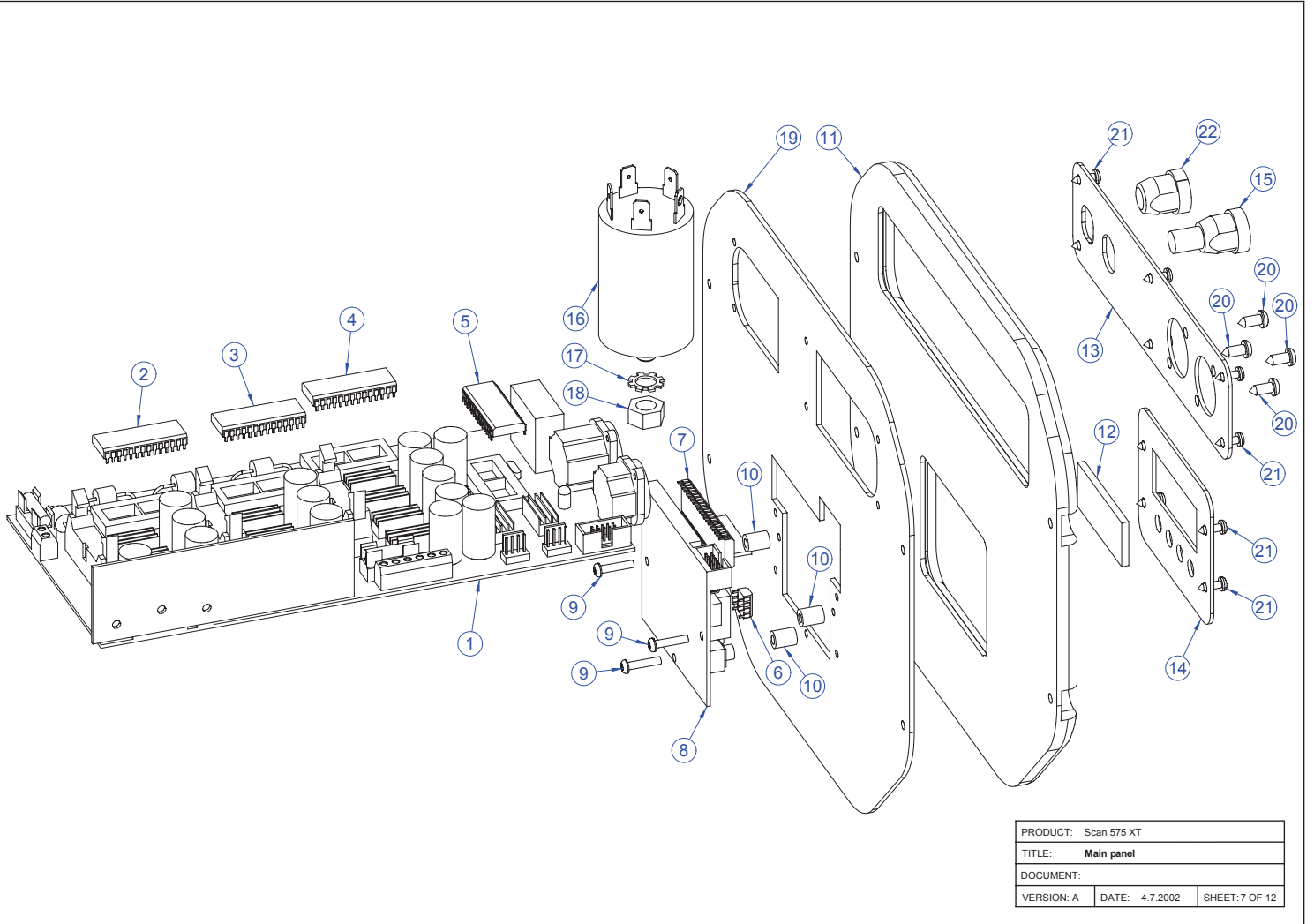
PRODUCT: Scan 575 XT		
TITLE: Iris module		
DOCUMENT:		
VERSION: A	DATE: 4.7.2002	SHEET: 4 OF 12



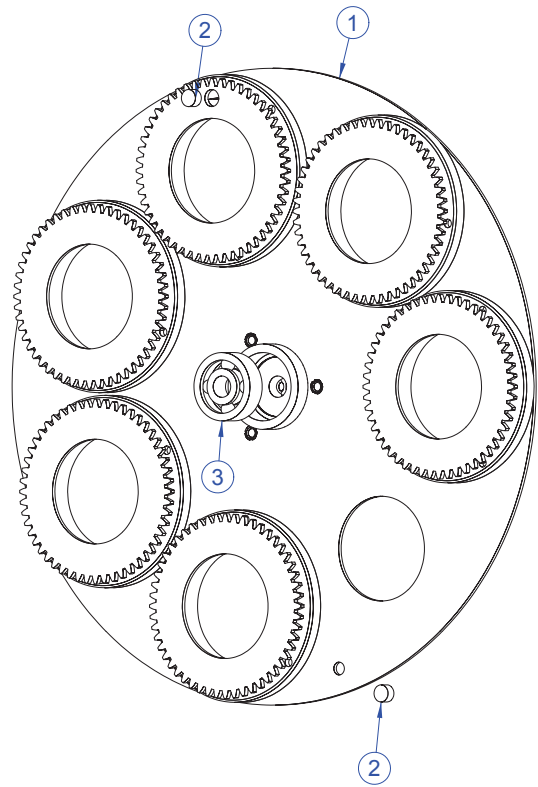
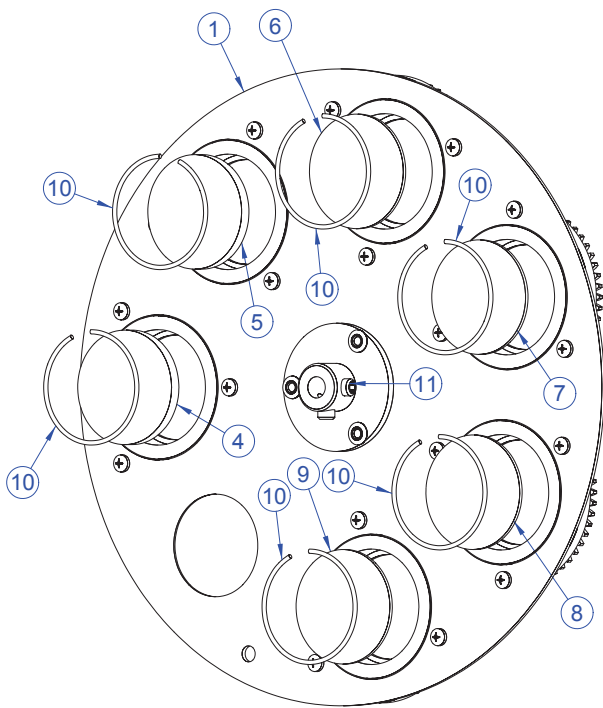
PRODUCT: Scan 575 XT		
TITLE: Module of rotating gobos		
DOCUMENT:		
VERSION: A	DATE: 4.7.2002	SHEET: 5 OF 12



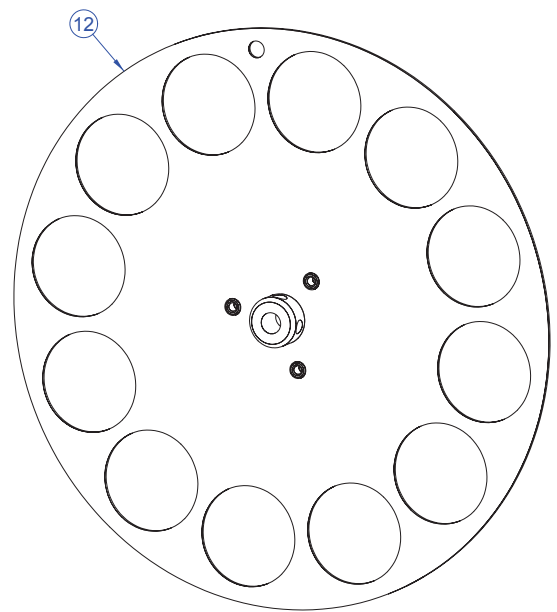
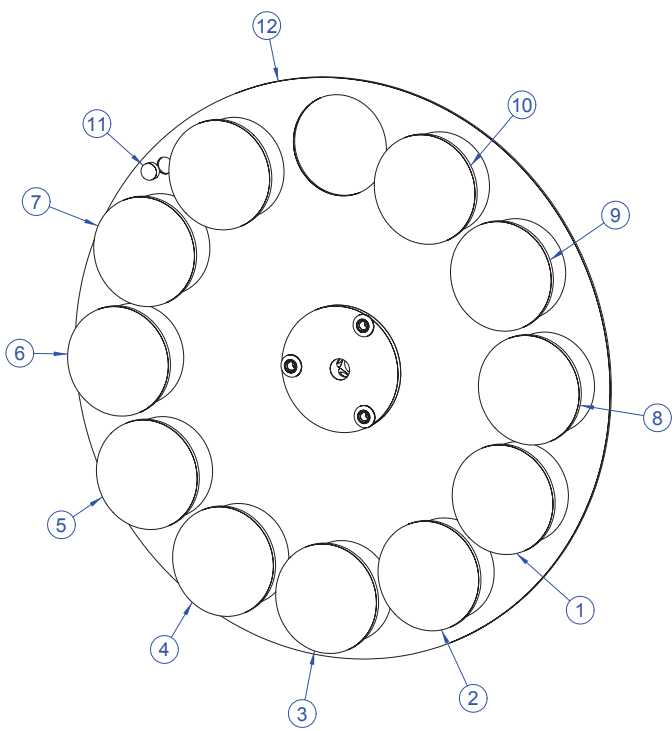
PRODUCT: Scan 575 XT		
TITLE: Prism module		
DOCUMENT:		
VERSION: A	DATE: 4.7.2002	SHEET: 6 OF 12



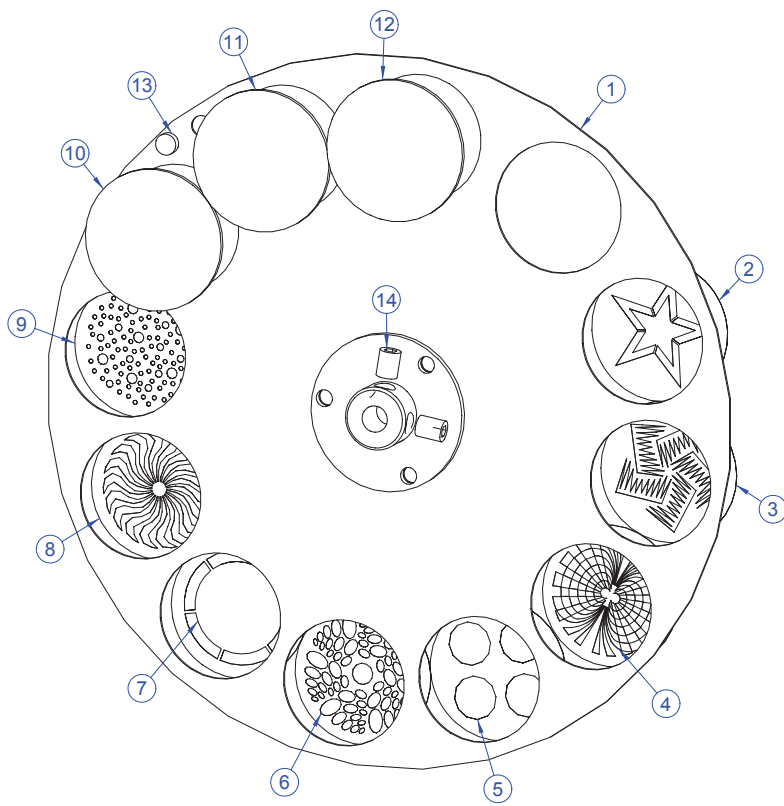
PRODUCT: Scan 575 XT		
TITLE: Main panel		
DOCUMENT:		
VERSION: A	DATE: 4.7.2002	SHEET: 7 OF 12



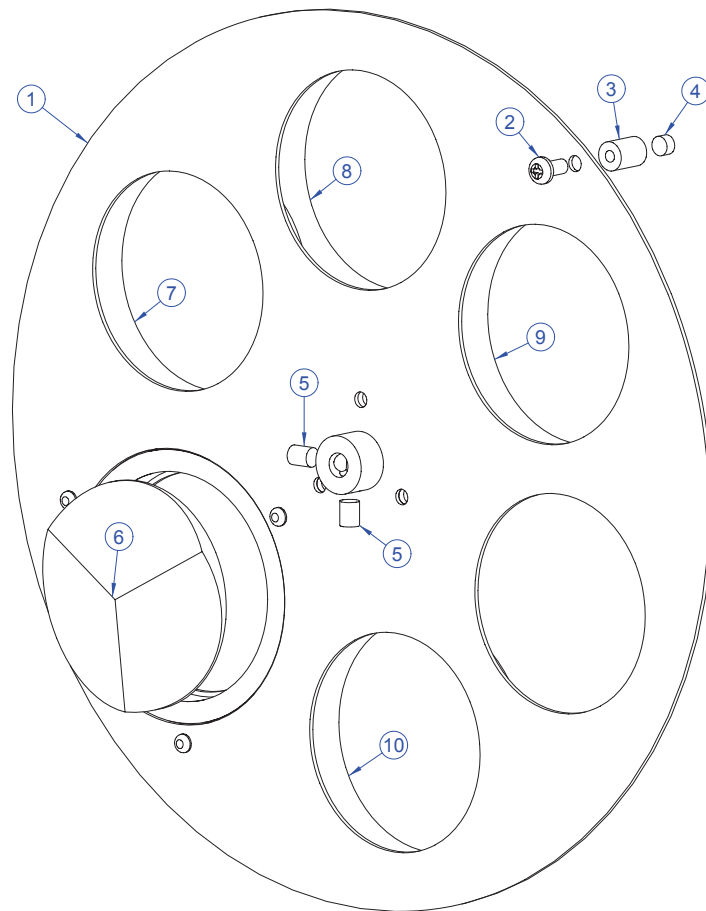
PRODUCT: Scan 575 XT		
TITLE: Gobo wheel R1		
DOCUMENT:		
VERSION: A	DATE: 4.7.2002	SHEET: 8 OF 12



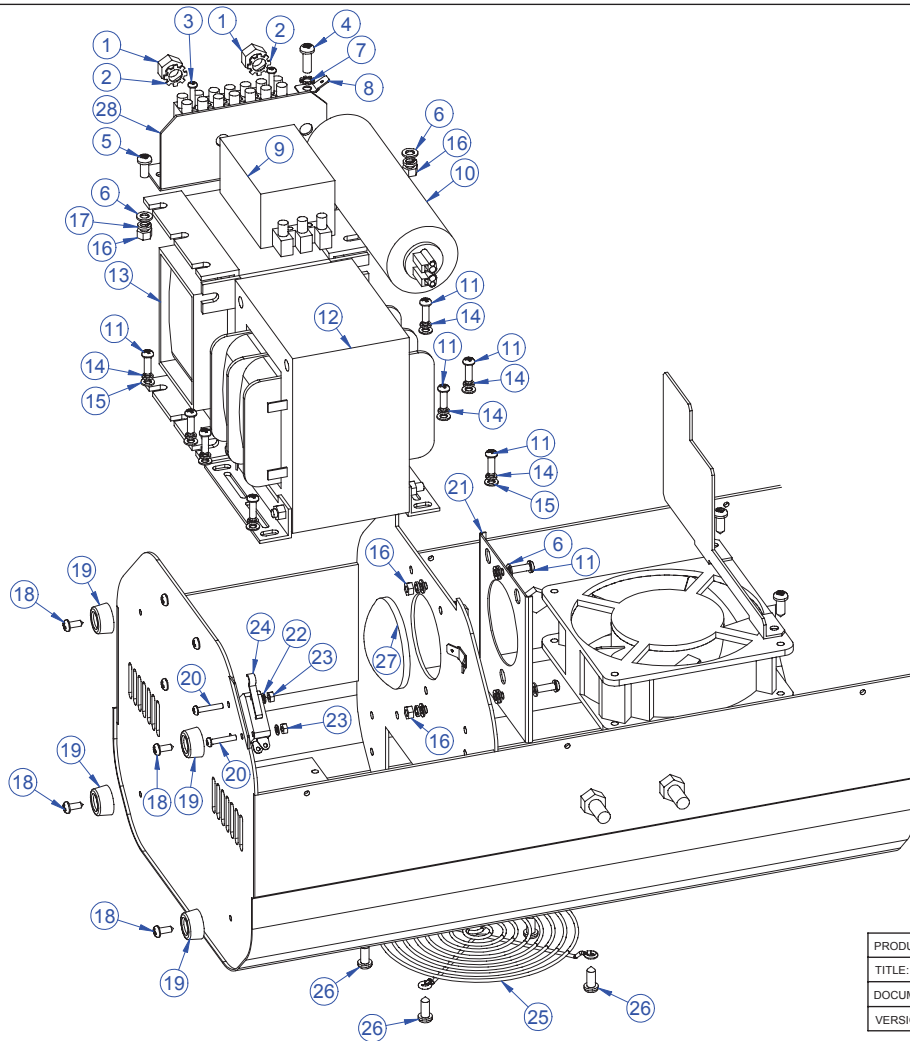
PRODUCT: Scan 575 XT		
TITLE: Colour wheel 3		
DOCUMENT:		
VERSION: A	DATE: 4.7.2002	SHEET: 9 OF 12



PRODUCT: Scan 575 XT		
TITLE: Gobowheel S3		
DOCUMENT:		
VERSION: A	DATE: 4.7.2002	SHEET: 10 OF 12



PRODUCT: Scan 575 XT		
TITLE: Effect wheel		
DOCUMENT:		
VERSION: A	DATE: 4.7.2002	SHEET: 11 OF 12



PRODUCT: Scan 575 XT		
TITLE: Assembly of ballast 120 V		
DOCUMENT:		
VERSION: A	DATE: 4.7.2002	SHEET: 12 OF 12